

RTD2660V VIDEO-LF A/D BOARD SPECIFICATION

General Descriptions

www.datasheet4u.com

The Realtek RTD2660 is a highly-integrated single chip IC controller solution for producing real time, top quality digital video and computer graphic images on LCD monitor/flat panel displays, such as XGA LCD monitors. LCD monitors and flat panel displays provide a sharp, flicker free display while saving space and energy for desktop PC applications. The RTD2660 provides an ideal interface between industry standard digital graphics controllers and a wide variety of LCD panel devices. Flat panel devices using the RTD2660 can support all incoming VESA modes and interface to any TFT LCD device, up to WUXGA (1920x1200) resolution

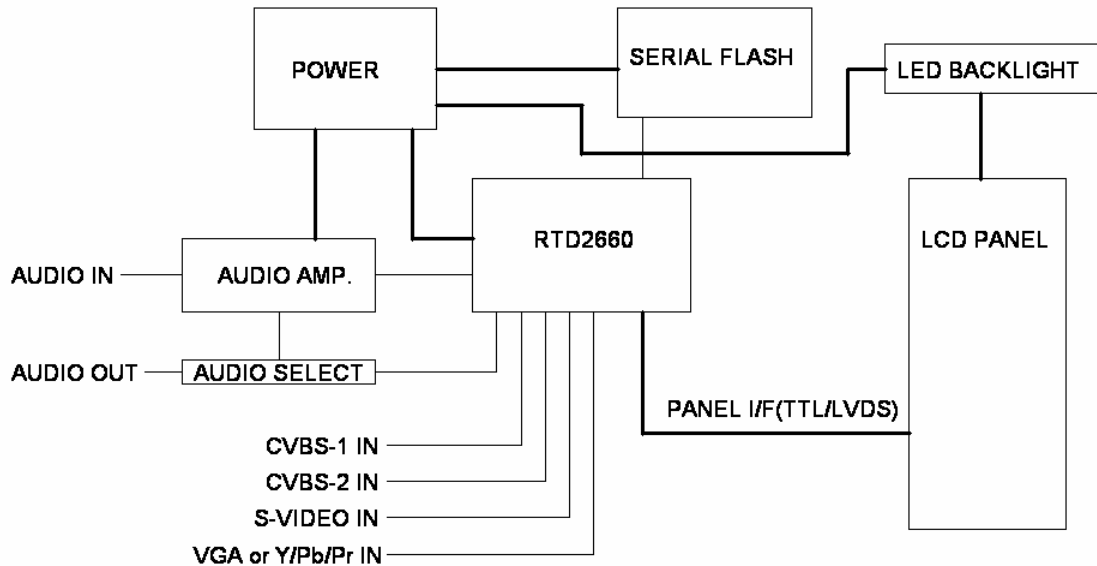
Features

- Built-in YUV to RGB color space converter.
- Compatibility with standard VESA mode and VGA, SVGA, XGA, SXGA, UXGA, WUXGA TFT LCD panel
- Smart engine for Phase and Image position calibration
- Independent horizontal/vertical scaling and support VESA standard Timing
- 4 channel 8-bits PWM output for high quality voice
- Auto detection VGA separate and composite synchronizes signal
- Support VGA analog 15-pin D-Sub standard input and option AV/S video Input and TV decoder
- Support DUAL LVDS, SINGLE LVDS, TTL
- Hardware decompression for OSD font
- Embedded OSD of 12*18 dot font per character
- ViVidCOlOfTM II
 - Independent color management (ICM II)
 - Dynamic contrast control (DCC II)
- True 10 bits color processing engine
- Advanced dithering logic for 18-bit panel color depth enhancement
- Dynamic overshoot-smear canceling engine
- Brightness and contrast control
- Programmable 10-bit gamma support
- Peaking/Coring/XVYCC function for video sharpness
- DLTi/DCTi/ Noise reduction for video quality
- Support 8-bit video (ITU 656) format input

RTD2660V VIDEO-LF A/D BOARD SPECIFICATION

Block Diagram

www.datasheet4u.com



Connector Description

JP8 : Speaker /Ear Connector

PIN	Function	Note
1	LEFT	
2	RIGHT	
3	GND	

J2 : Inverter Connector

PIN	Function	Note
1	12V VCC	
2	GND	
3	BACKLIGHT POWER ON/OFF	
4	BRIGHTNESS CONTROL	

J3,J3A1,J3B1 : LED Backlight out Connector

PIN	Function	Note
1	LED +	
2	LED -	

RTD2660V VIDEO-LF A/D BOARD SPECIFICATION

JP2 : Video and Audio Connector

PIN	Function	Note
1	AV1	
2	VGND	
3	AUDIO in right	
4	AGND	
5	AUDIO in left	
6	AGND	
7	Video Y in	
8	VGND	
9	Video Pb in	
10	VGND	
11	Video Pr in	
12	VGND	

J9(LEFT),J10(RIGHT) : Speaker Connector

PIN	Function	Note
1	SIGNAL +	
2	SIGNAL -	

JP3 :S-Video/CVBS Input (PH:2.0mm 5PIN)

PIN	Function	Note
1	S_YIN	
2	S_CIN	
3	S_GND	
4	CVBS_IN	
5	CVBS_GND	

J1 Community CN1 : Power Input Connector (PH:2.0mm 2PIN)

PIN	Function	Note
1	12VCC	
2	GND	

JP5 : Audio2 In Connector (PH: 2.0mm 3PIN)

PIN	Function	Note
3	RIGHT IN	
2	LEFT IN	
1	GND	

RTD2660V VIDEO-LF A/D BOARD SPECIFICATION

JP7 : RS232 Connector (PH: 2.0mm 4PIN)

PIN	Function	Note
1	GND	
2	3.3VCC	
3	RX	
4	TX	

J4 Community U10 :VGA Input (PH:2.0mm 12PIN)

PIN	Function	Note
1	R	
2	ADC_GND	
3	G	
4	ADC_GND	
5	B	
6	ADC_GND	
7	CONNECT	
8	DDC_SDA	
9	HSYNC	
10	VSYNC	
11	DDC_SCL	
12	GND	

J8 : Key Board Connector

PIN	Function	Note
1	3.3V DVCC	
2	IR INPUT	
3	MENU(AUTO) KEY	
4	SELECT_KEY	
5	UP_KEY	
6	DOWN_KEY	
7	ACTIVE (GREEN) LED	
8	STANDBY(RED) LED	
9	POWER KEY	
10	GND	
11	VOL_UP KEY	
12	VOL_DOWN KEY	
13	SOURCE KEY	
14	GND	

